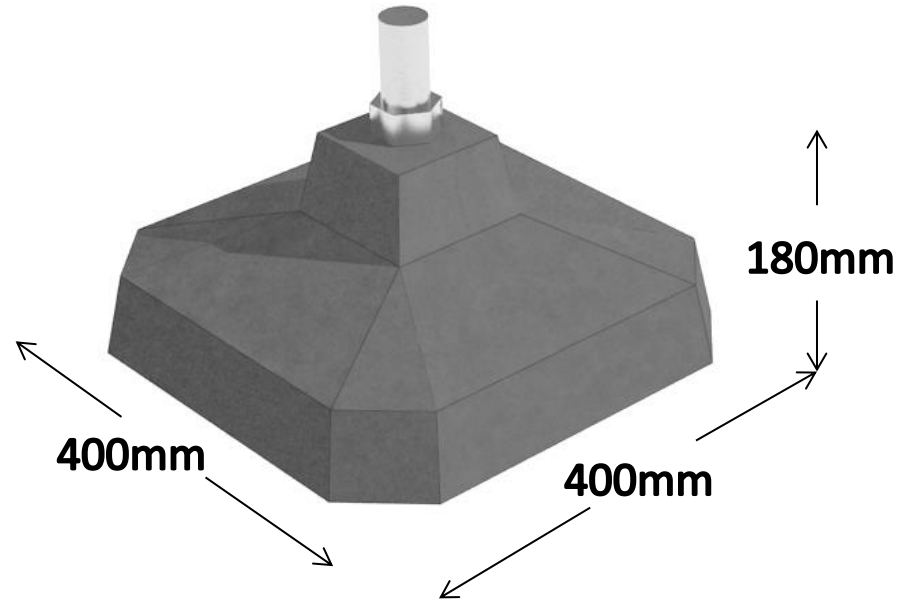


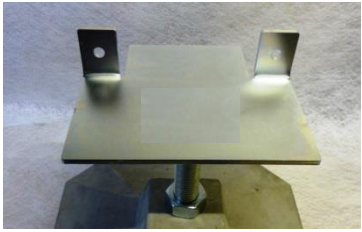


Commercial EasyPad Data
Max vertical load 5 tonnes
Self Weight 30 kgs

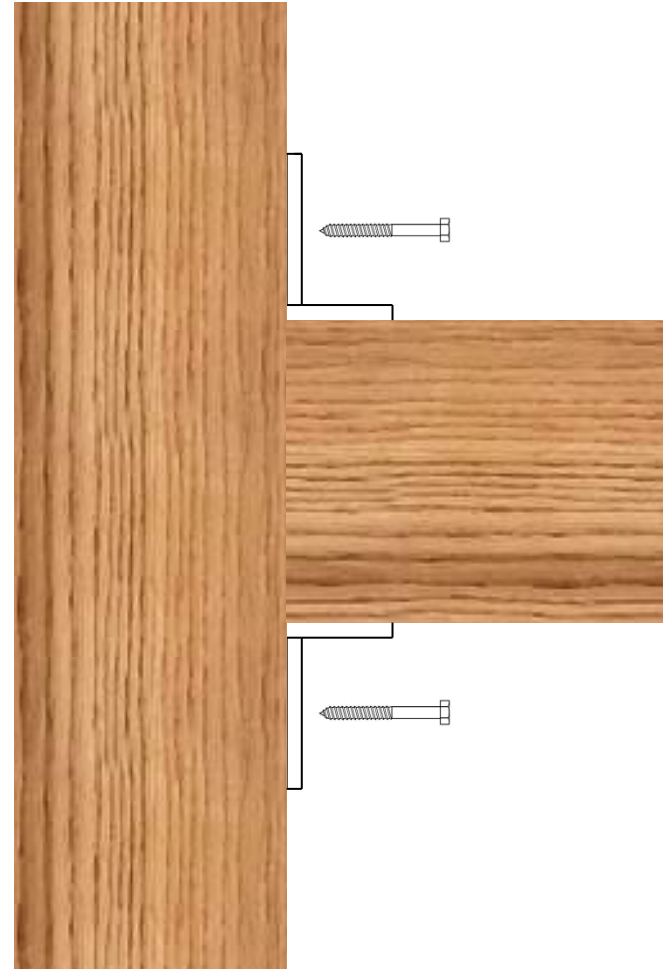
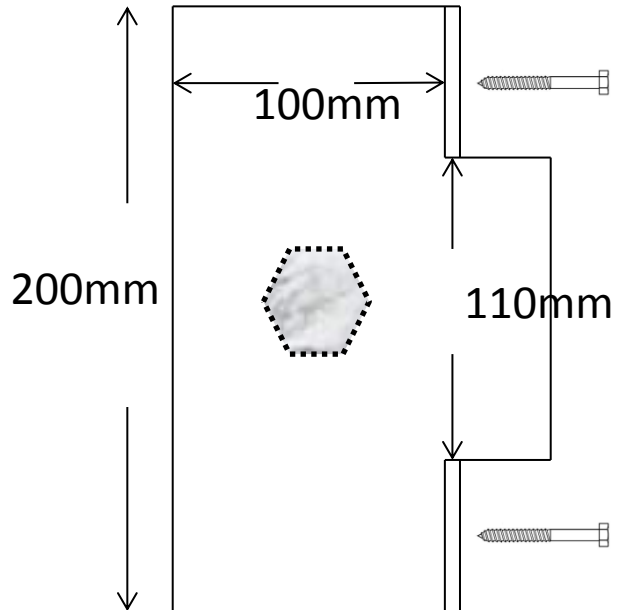


Ideal for buildings over 20 m².

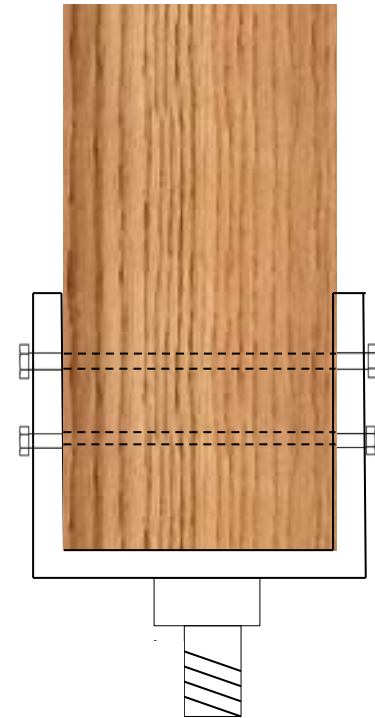
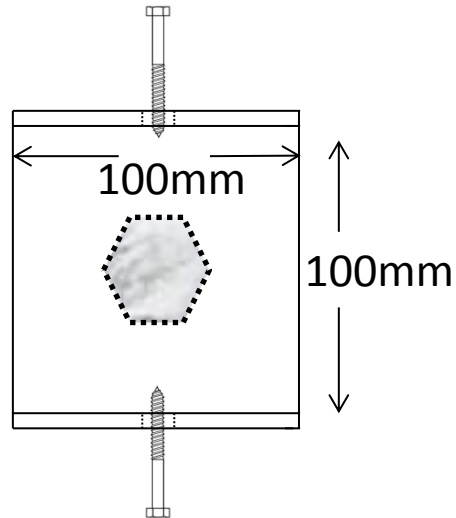
- Residential Log Cabins
- Garden Rooms
- Timber framed Buildings
- School Classrooms



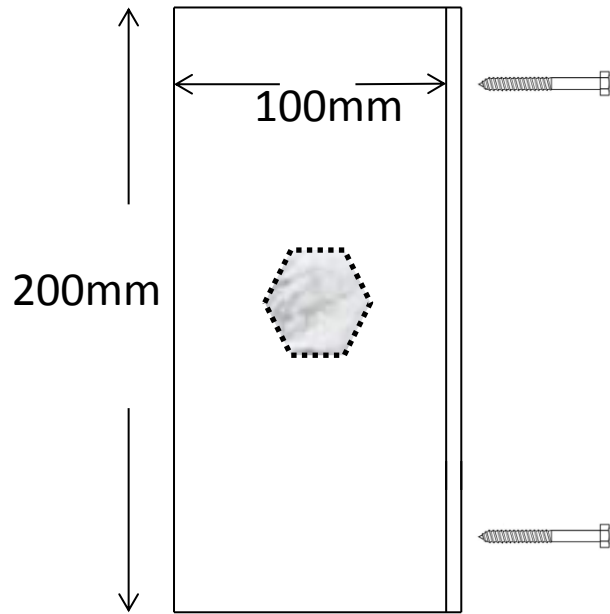
T Bracket



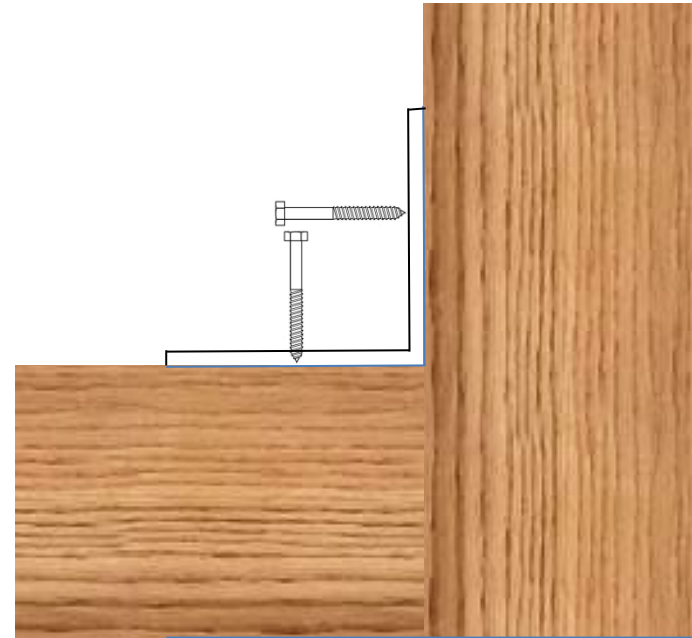
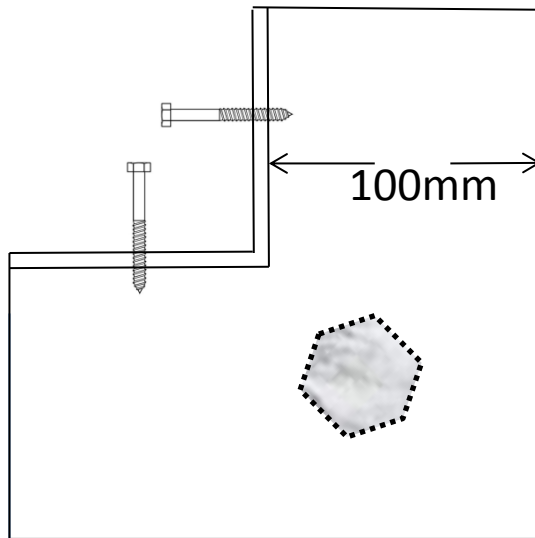
Stilt Bracket for 4 inch post



Inline Bracket



Corner Bracket



Square Plate 8 inch

EasyPAD®

